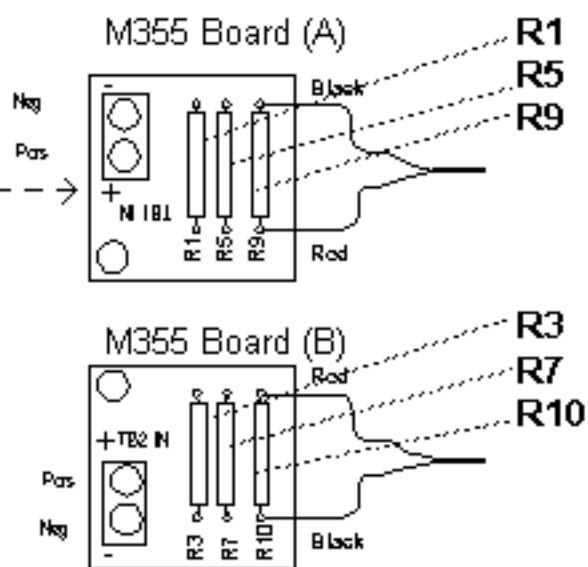
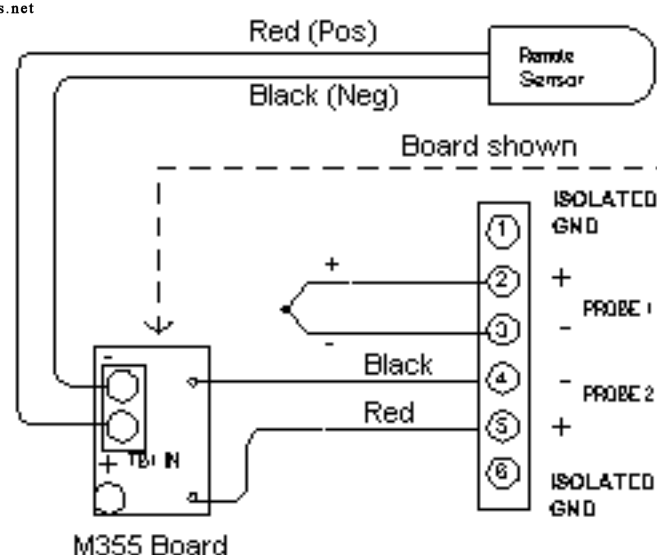


# M355 INPUT BOARD

TMC Services Inc.  
P.O. Box 157  
Elk River, MN 55330

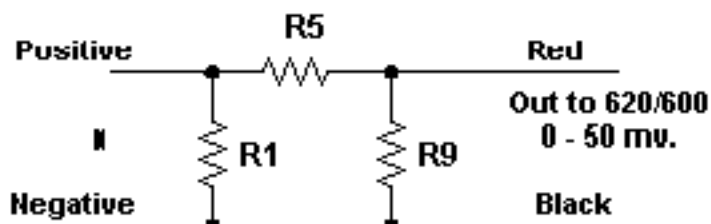
Phone: 763-241-1456  
Fax: 763-241-1829  
Email: jcsystems@tmcservices.net  
Web: www.jcsystemsinc.com



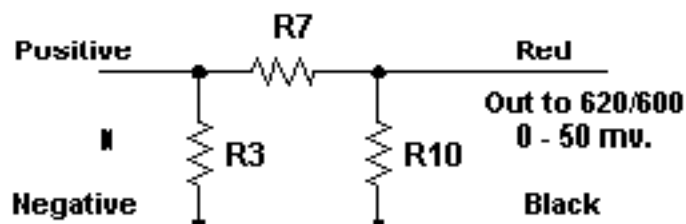
Two different M355 boards are supplied for the units. Check with dwg. on right for which one you have.

M355 Boards available:

- 4 - 20mA
- 0 - 500 mV
- 0 - 1VDC
- 0 - 5VDC
- 0 - 10VDC



M355 Board (A)



M355 Board (B)

## Configuration Table

	Board A	Board B
TC -----	R5 - Jumper	R7 - Jumper
4-20mA --	R1 - 25.5 ohms 1% R5 - 9.09K 1% R9 - 1.00K 1%	R3 - 25.5 ohms 1% R7 - 9.09K 1% R10 - 1.00K 1%
0-500mV --	R5 - 9.09K 1% R9 - 1.00K 1%	R7 - 9.09K 1% R10 - 1.00K 1%
0-1.0 V --	R5 - 20.0K 1% R9 - 1.05K 1%	R7 - 20.0K 1% R10 - 1.05K 1%
0-5.0 V --	R5 - 100.0K 1% R9 - 1.0K 1%	R7 - 100.0K 1% R10 - 1.0K 1%
0-10 V --	R5 - 200.0K 1% R9 - 1.05K 1%	R7 - 200.0K 1% R10 - 1.05K 1%