

# *JC SYSTEMS by TMC Services, Inc.*

---

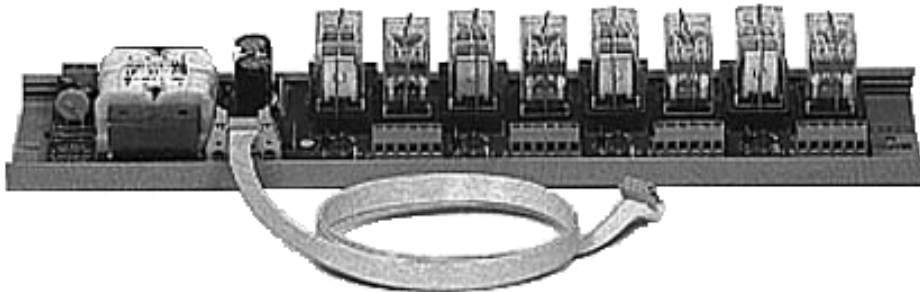
---

## **Model A2388 Eight DPDT Event Relay Board**

---

---

- **FOR USE WITH MODEL 620/600 PROGRAMMER/CONTROLLERS**  
*The Model 620/600 Output Interface Board must be rev. \_1D or later (A2225\_1D).  
Earlier versions do not have the necessary 10 pin ribbon cable headers.*
- **10 PIN RIBBON CABLE INTERFACE TO MODEL 620/600**
- **8 SOCKETED LOCATIONS FOR PLUG IN DRY CONTACT RELAYS**  
*(3 Amp. max per contact)*
- **DIRECT PLUG IN FOR: ALARM & LIMIT OUTPUTS (JO1),  
EVENTS 1-8 (JO2)  
or EVENTS A-H (JO3)**
- **115VC (FUSED) OPERATION WITH ON BOARD 24VDC POWER SUPPLY**
- **SEPARATE OUTPUT TERMINAL STRIP FOR EACH DPDT RELAY**
- **LED INDICATOR FOR EACH RELAY**
- **SNAP TRACK MOUNTED**
- **IDEAL ALTERNATIVE TO THE A2271 EVENT RELAY BOARD**



*A2388 Eight DPDT Relay Board mounted in Snap Track, with optional Relays.  
Dim. 15 1/2" (L) x 3" (W) x 2 1/2" (H)*

---

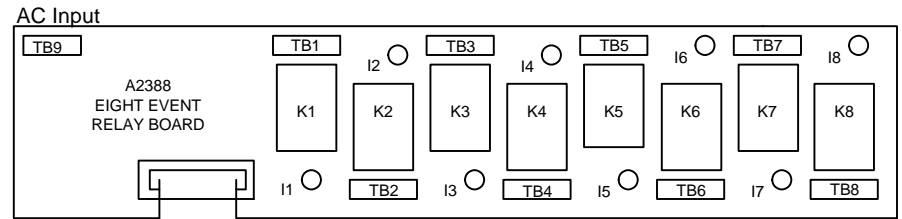
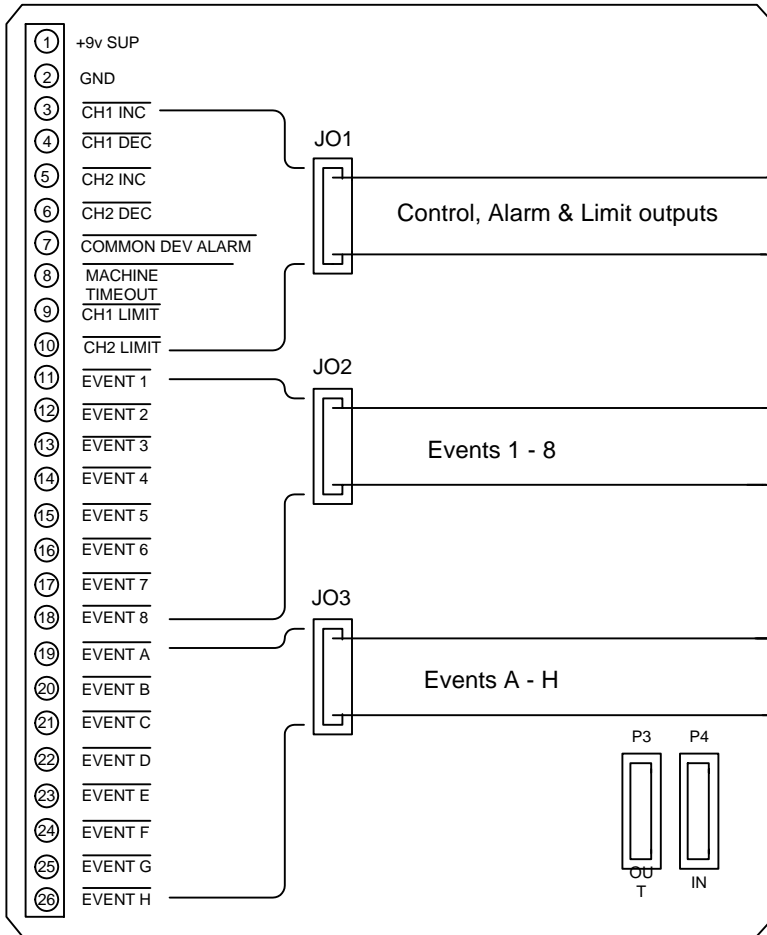
*JC SYSTEMS by TMC Services, Inc.*

P.O. Box 157 Elk River, MN 55330

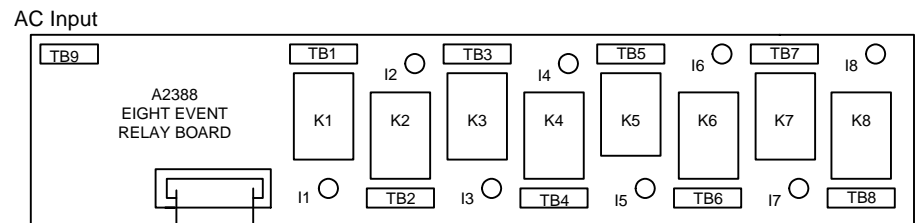
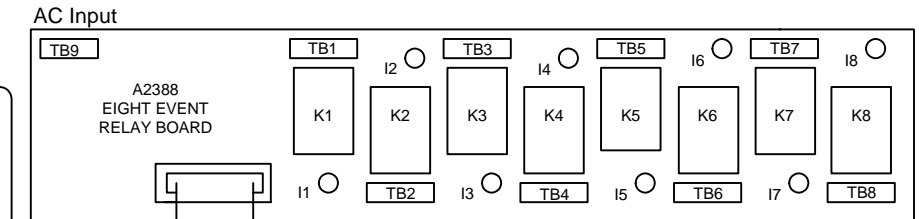
Phone: (763)241-1456 Fax: (763)241-1829

Email: [jcsystems@tmcservices.net](mailto:jcsystems@tmcservices.net) [www.jcsystemsinc.com](http://www.jcsystemsinc.com)

MODEL 620A/600A (A2225)  
TB1



NOTE: When connected to JO1 do not use relays K1 - K4. They are the controller time proportioned Increase and Decrease outputs. These outputs should be controlling by Solid State Relays



## A2388 EIGHT DPDT EVENT RELAY BOARD