

# *JC SYSTEMS by TMC Services, Inc.*

---

---

## **Model A2320 Eight Event SSR Board**

---

---

### **EASY TO USE:**

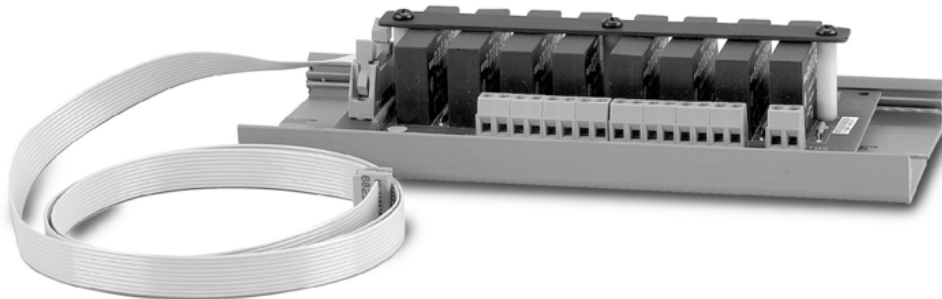
- *Ribbon Cable interconnect to header on rear of Model 620A/600A*
- *Socketed locations for plug-in Solid State Relays*
- *LED indicator for each SSR location*
- *Mechanical hold down bar for SSR's*
- *Each SSR output independently fused*
- *AC or DC Solid State Relays*

### **USE ONLY WHAT YOU NEED:**

- *Up to 3 modules can be used on each Model 620A/600A*
- *Module 1 - Controls and Limits, Module 2 - Events 1 - 8, Module 3 Events A - H*

### **ORDERING INFORMATION:**

- *A2320 - Eight Event SSR Board (w/o relays)*
- *MP120D4 - AC Solid State Relay 24 - 120 Vac, 4 amp*
- *DC 60MP - DC Solid Stat Relay 4 - 60 Vdc, 3 amp*



*A2320 Eight SSR Output Module mounted in Snap Track, with optional SSR's. Mounting dim. 3" x 8 "*

---

*JC SYSTEMS by TMC Services, Inc.*

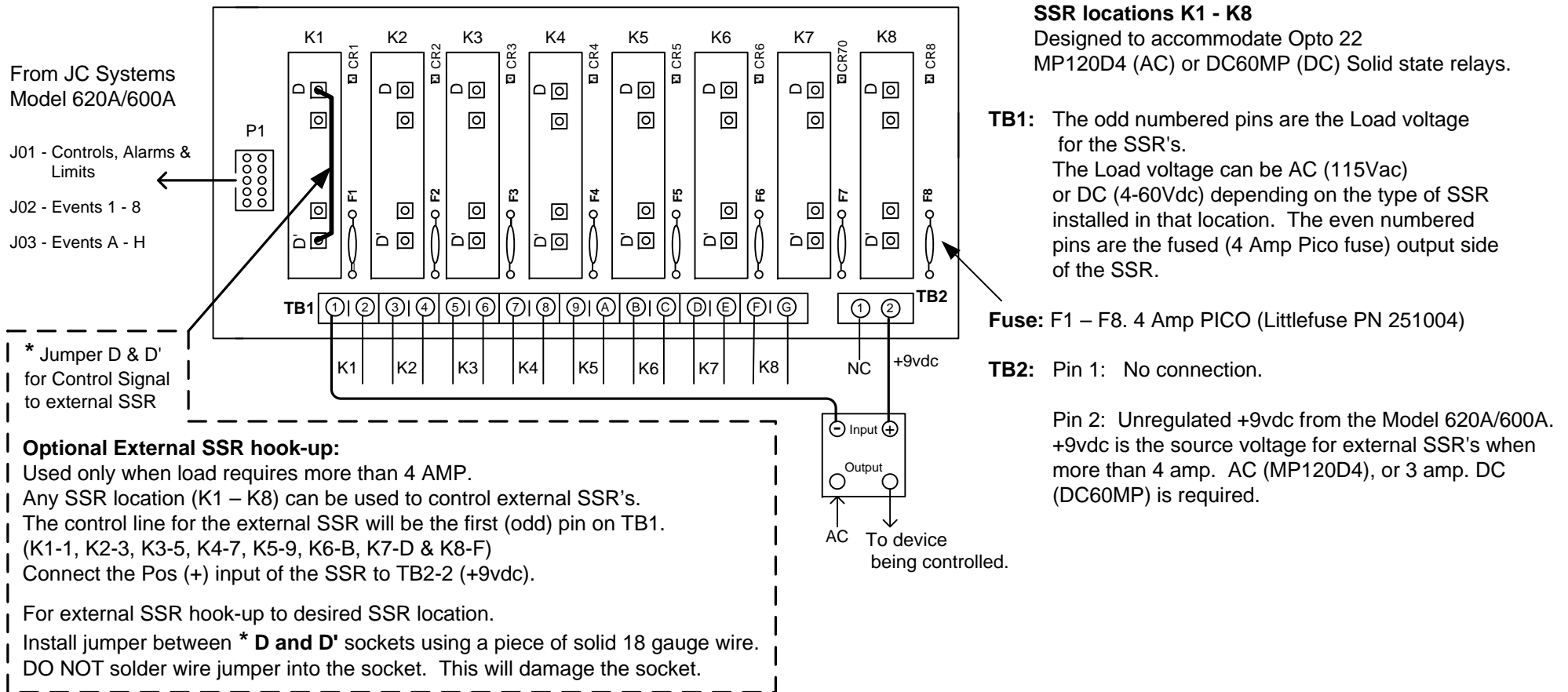
P.O. Box 157 Elk River, MN 55330

Phone: (763)241-1456 Fax: (763)241-1829

Email: [jcsystems@tmcservices.net](mailto:jcsystems@tmcservices.net)

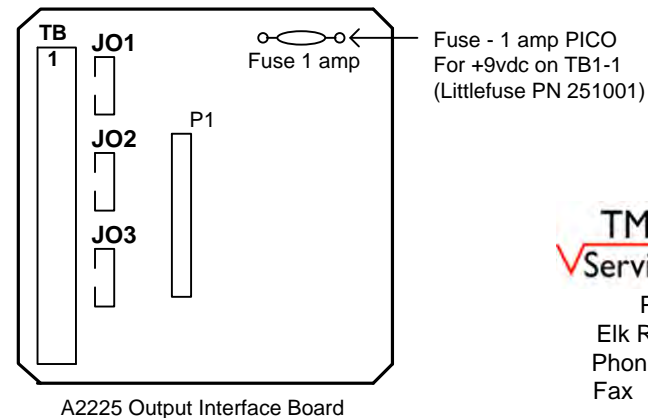
[www.jcsystemsinc.com](http://www.jcsystemsinc.com)

## JC Systems by TMC Services A2320 8 Event SSR Board



Three 10 pin ribbon cable headers (JO1, JO2 & JO3) are located on the Model 620A/600A's A2225 Output Interface Board for interfacing with the A2320 board.

A2320 Relay	TB1 Pins	JO1	JO2	JO3
K1	1 & 2	CH1 INC	Event 1	Event A
K2	3 & 4	CH1 DEC	Event 2	Event B
K3	5 & 6	CH2 INC	Event 3	Event C
K4	7 & 8	CH2 DEC	Event 4	Event D
K5	9 & A	Com. Dev.	Event 5	Event E
K6	B & C	Mach. Timeout	Event 6	Event F
K7	D & E	CH1 Limit	Event 7	Event G
K8	F & G	CH2 Limit	Event 8	Event H



**TMC Services Inc.**  
 P.O Box 157  
 Elk River, Mn. 55330  
 Phone 763-241-1456  
 Fax 763-241-1829