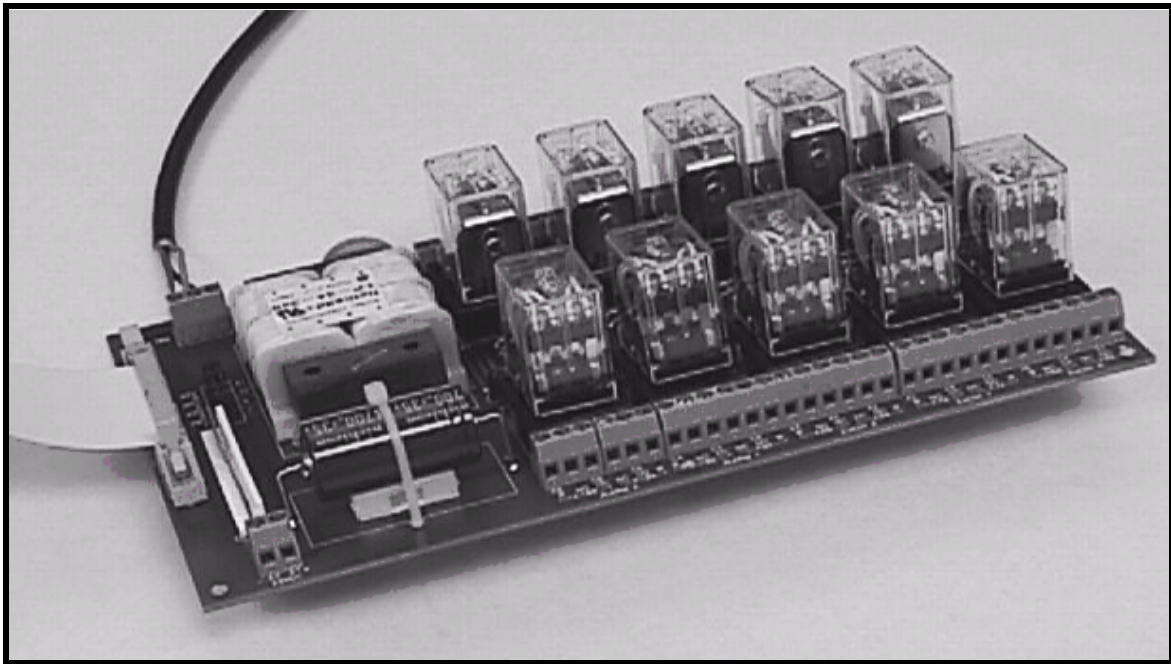


JC SYSTEMS by TMC Services, Inc.

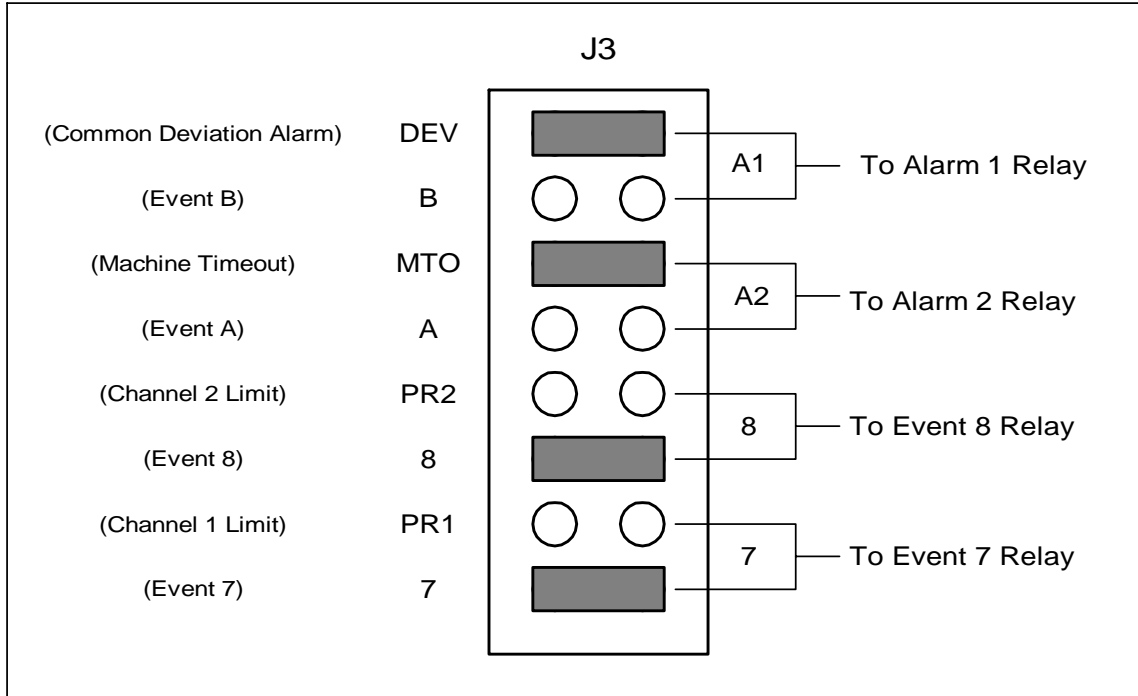
MODEL 2271 Event Relay Board

- **FOR USE WITH MODEL 620\600 PROGRAMMER\CONTROLLERS**
- **RIBBON CABLE INTERFACE TO MODEL 620\600**
- **115VAC OPERATION WITH ON BOARD 24VDC POWER SUPPLY**
- **10 SOCKETED LOCATIONS FOR PLUG IN DRY CONTACT RELAYS (RELAY CONTACTS, DOUBLE POLE, SINGLE THROW FORM "C", 3AMP MAX PER CONTACT, PN HC4-H-DC24V)**
- **FOUR LOCATIONS JUMPER SELECTABLE FOR SPECIAL FUNCTIONS**
LOCATION 7 = EVENT 7 OR CH1 LIMIT OUTPUT
8 = EVENT 8 OR CH2 LIMIT OUTPUT
9 = EVENT A OR MTO (COMPRESSOR TIME OUT)
10 = EVENT B OR ALARM OUTPUT



JC Systems' Model A2271 Event Relay Board (shown with optional plug-in relays installed).

MODEL A2271 JUMPER SELECTION INFORMATION



Put jumper on the appropriate position to select event or function for last four relay locations.

JC SYSTEMS by TMC Services, Inc.

P.O. Box 157, Elk River, MN 55330
Phone: (763)241-1456 Fax: (763)241-1829
E-Mail: jcsystems@tmcservices.net
www.jcsystemsinc.com